

3/8 - 7/16 peghead thickness is appropriate for Grover ukulele tuners available from Stewmac. Other tuners may require a different thickness.

Optional peghead veneer

Carbon fiber bar can be slotted into back of fingerboard for neck fingerboard alignment. Route slot while neck and fingerboard are square.

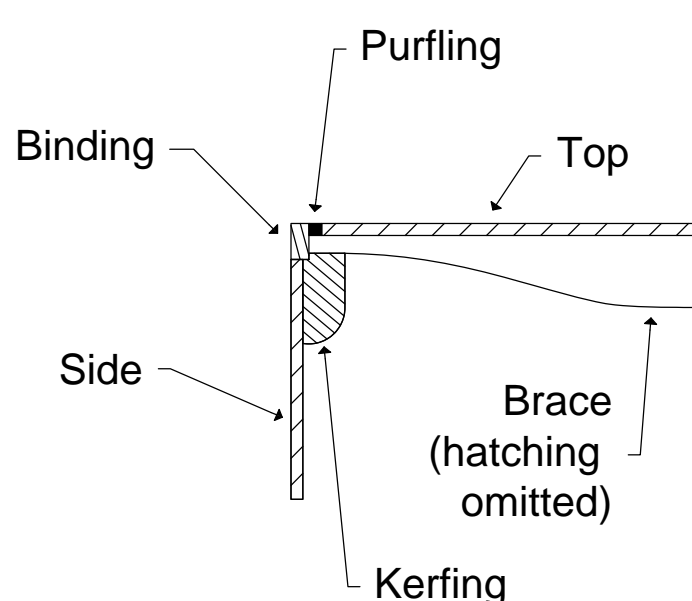
1/8 by 3/8 carbon fiber bar

Heel cap

1/8 Bone nut

Ø3/32 shell dot inlay

Tuck top and back cross-braces into kerfing

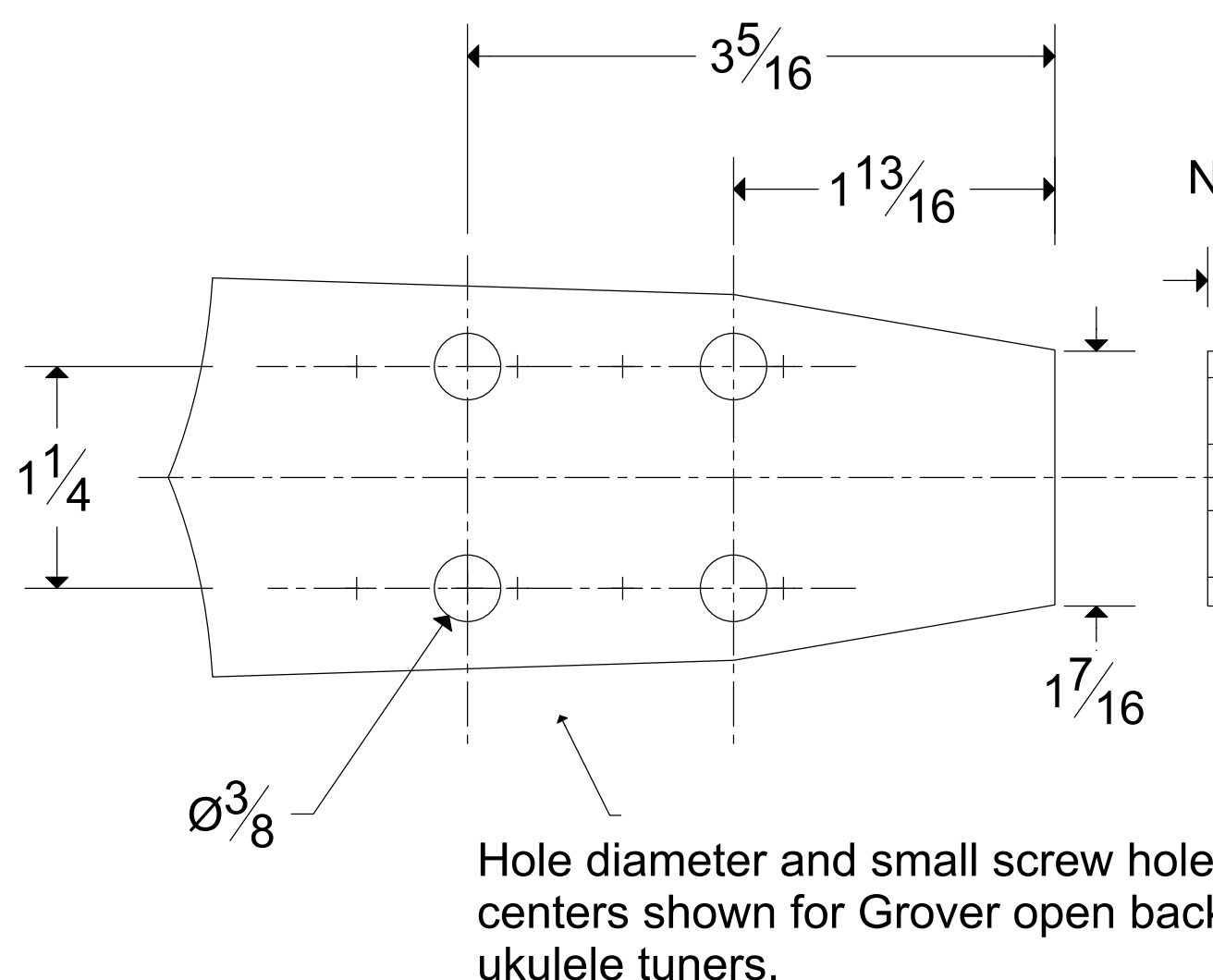


Flat top. 0.080-0.090 thickness for spruce, 0.065-0.075 for koa/mahogany

Side thickness 0.065-0.080

Reverse kerfing preferred for side rigidity.

Bridge patch approx. 3/32 thick. Spruce cutoff from top.



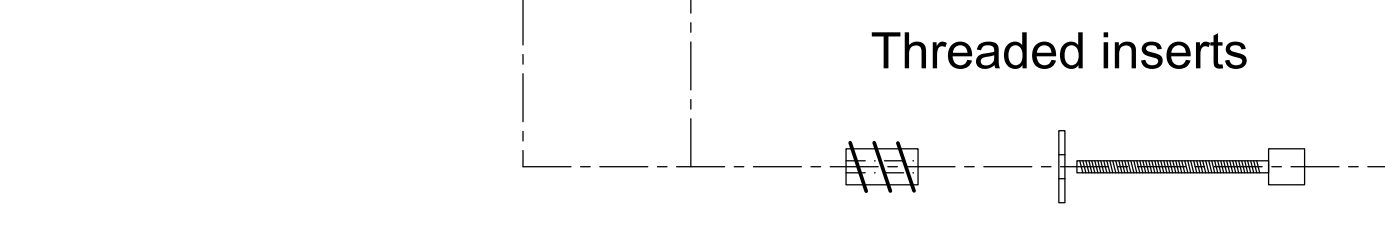
Hole diameter and small screw hole centers shown for Grover open back ukulele tuners.

Distance between nut slots is 3/8 OC

1 3/4 at 14th fret

0.100 Saddle compensation
17 to nut

Bone Saddle



Bolt-on hardware may be omitted and mortise and tenon joint glued.

- Oaktown Strings - Tenor Ukulele

Scale length: 17	1:1 Scale
Upper bout width: 6 1/4	All dimensions in inches
Lower bout width: 9	Version 1.4 2/28/22
Body length: 12	Copyright 2022 Robert Lattuga

All wood should be well quartered. Cross-hatching does not indicate grain direction.