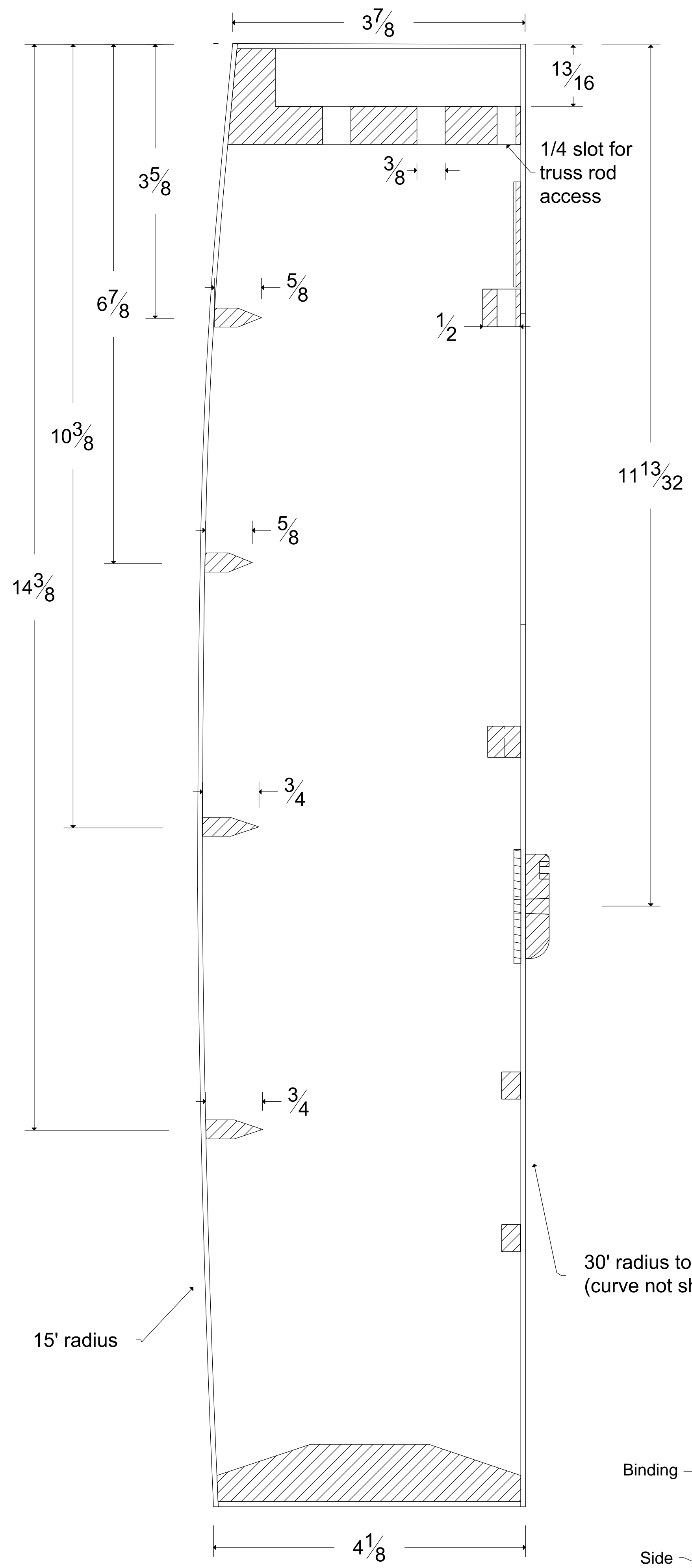
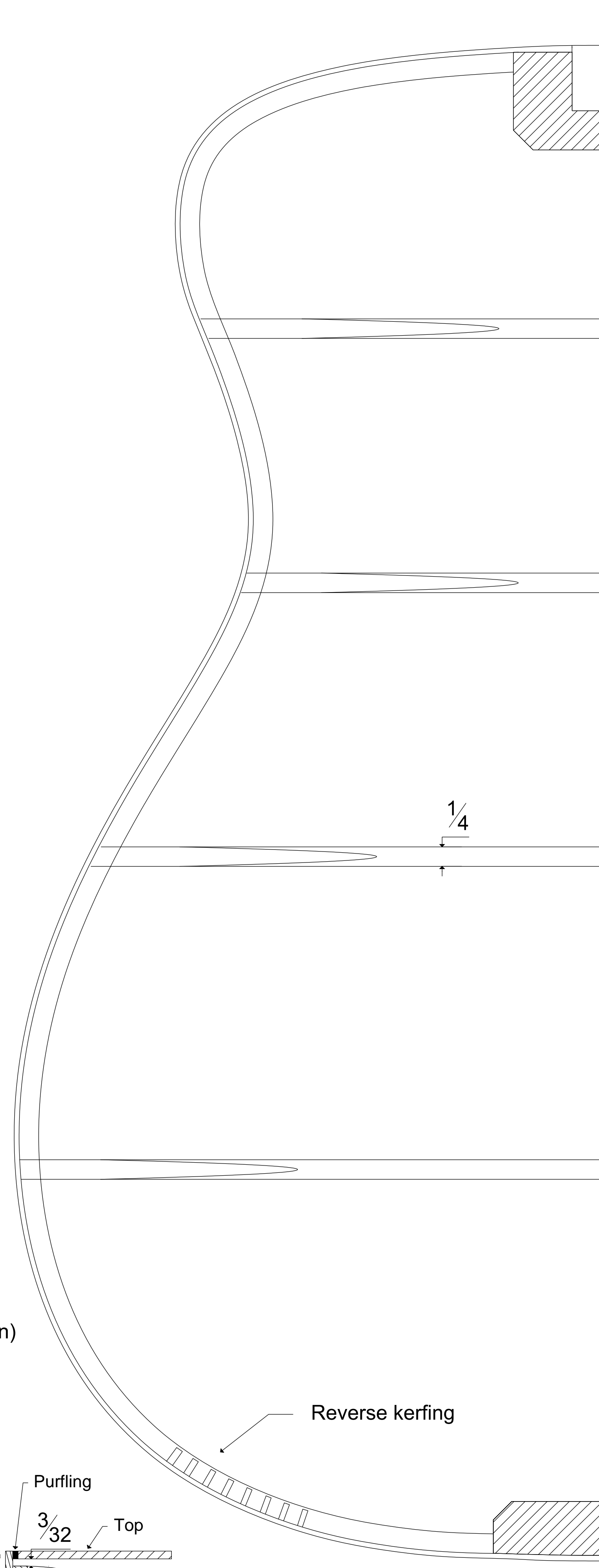


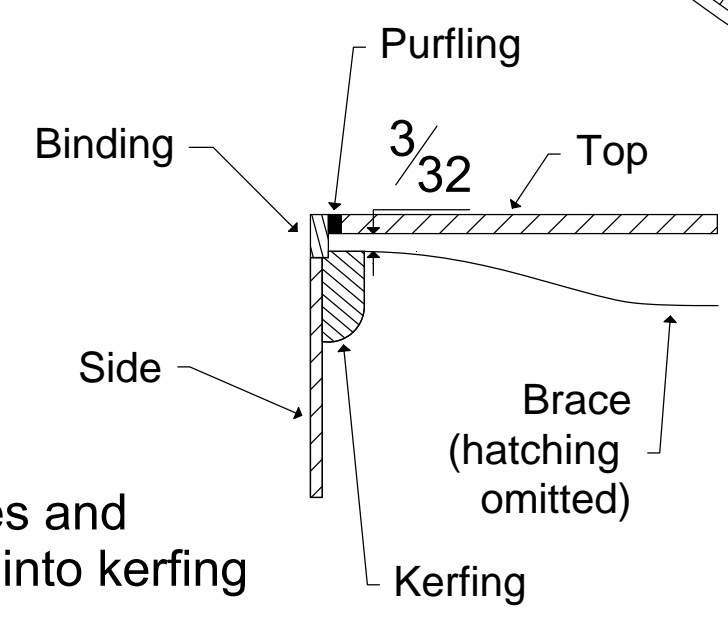
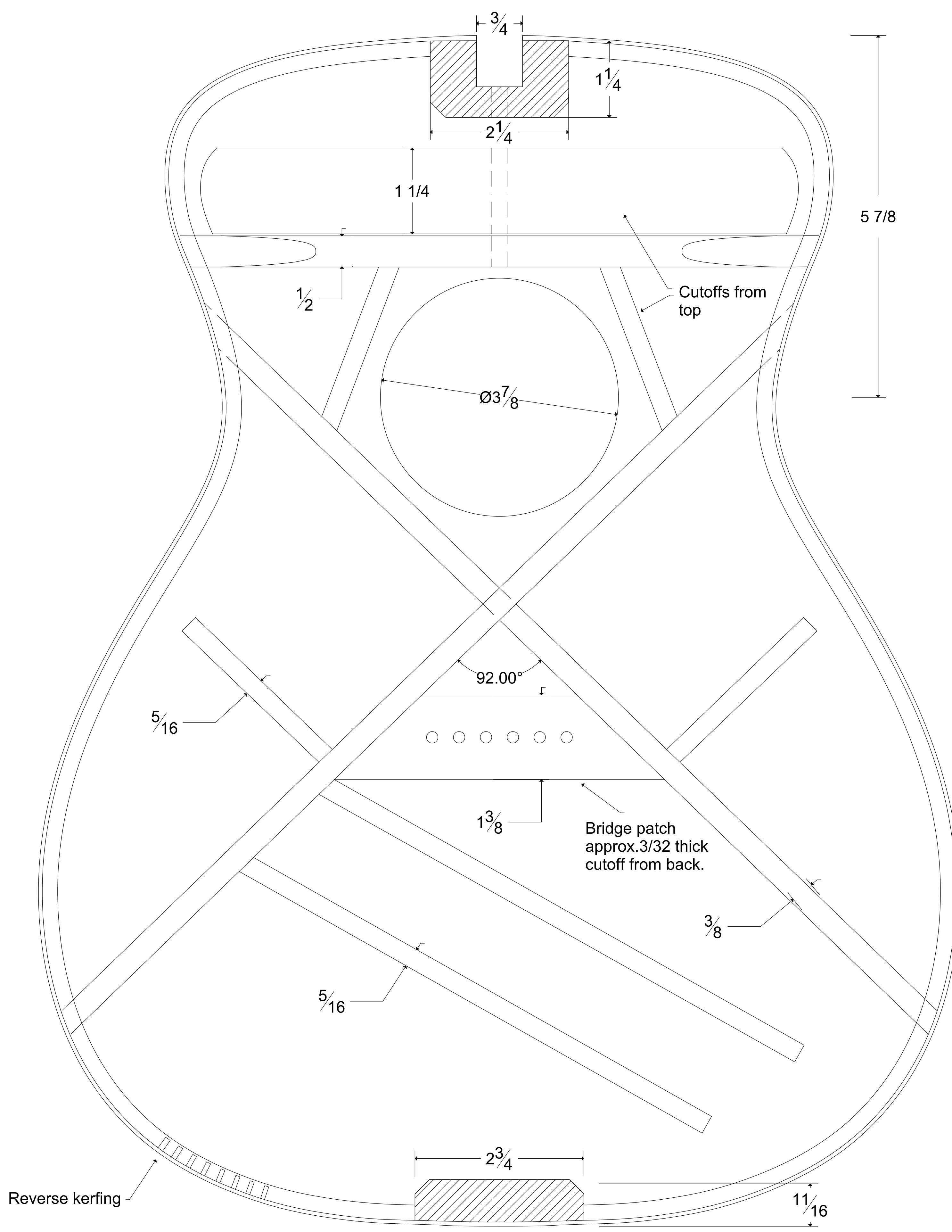
Side View
from body cross section



Back View
from body cross section



Top View
from body cross section

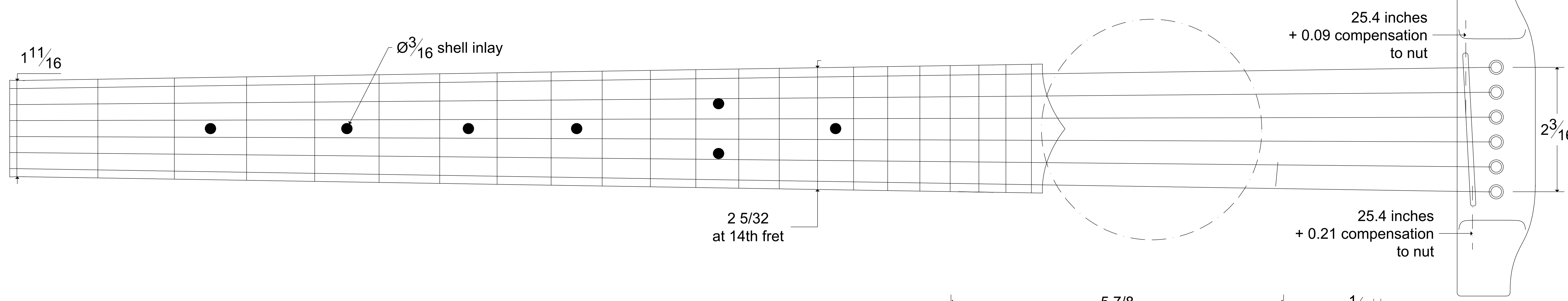
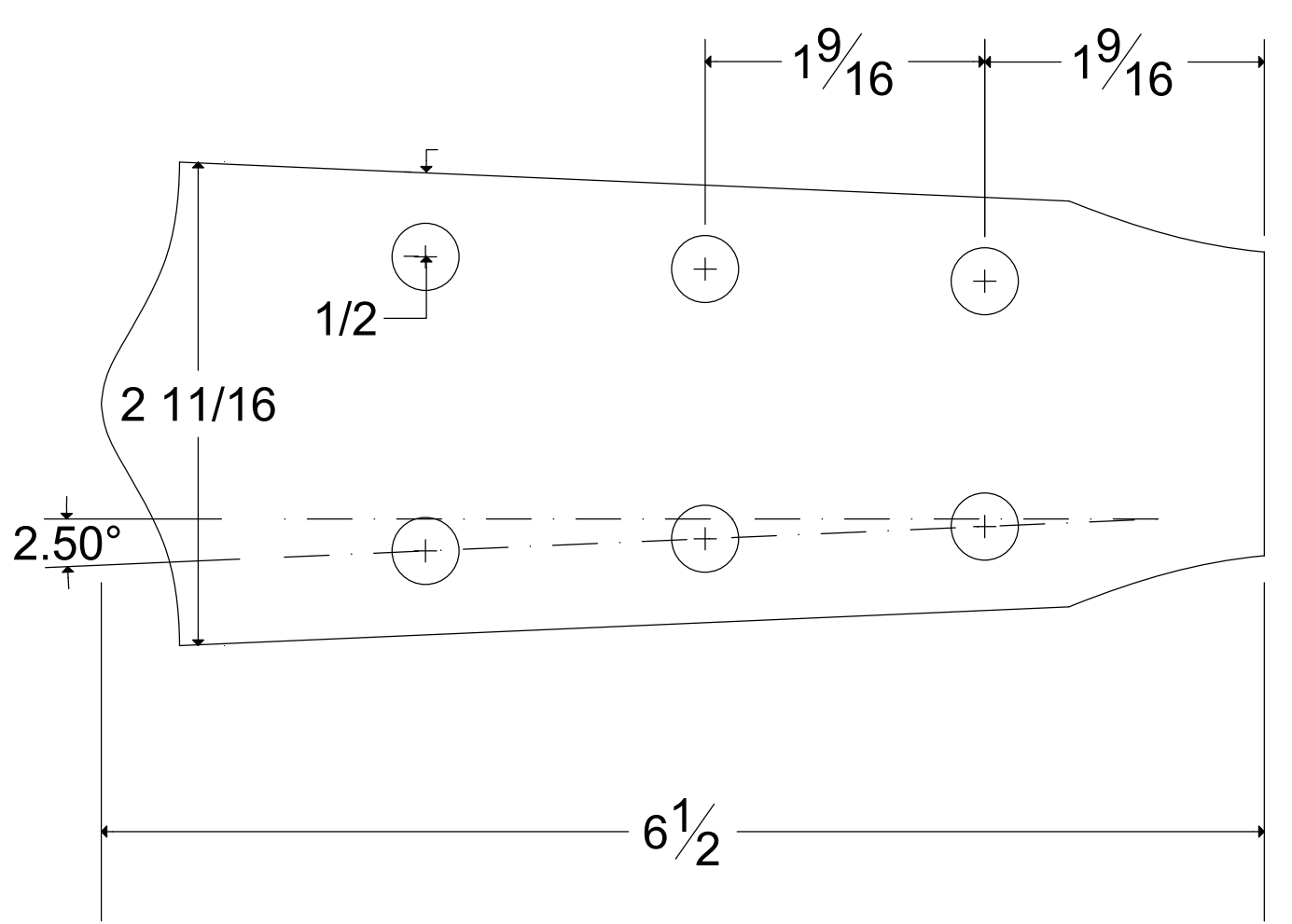
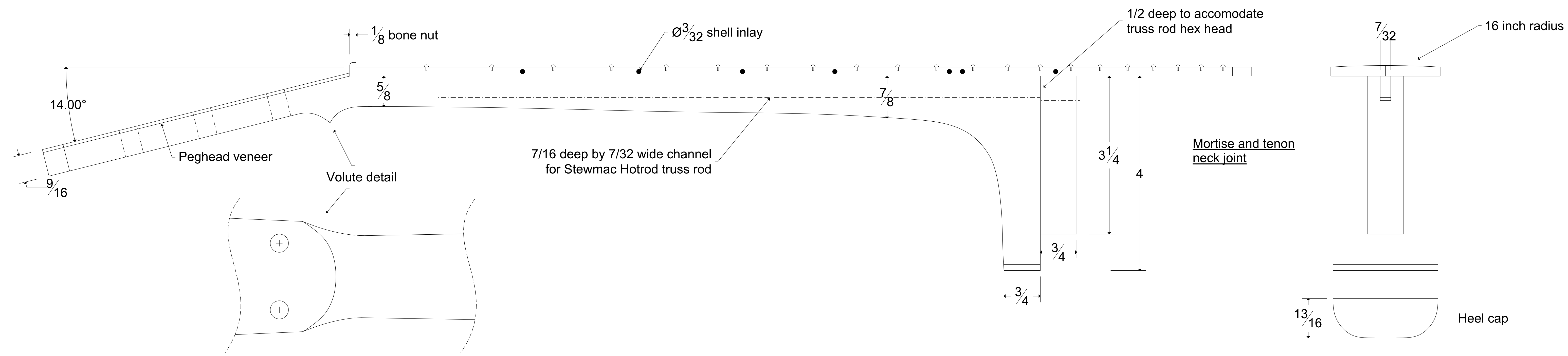
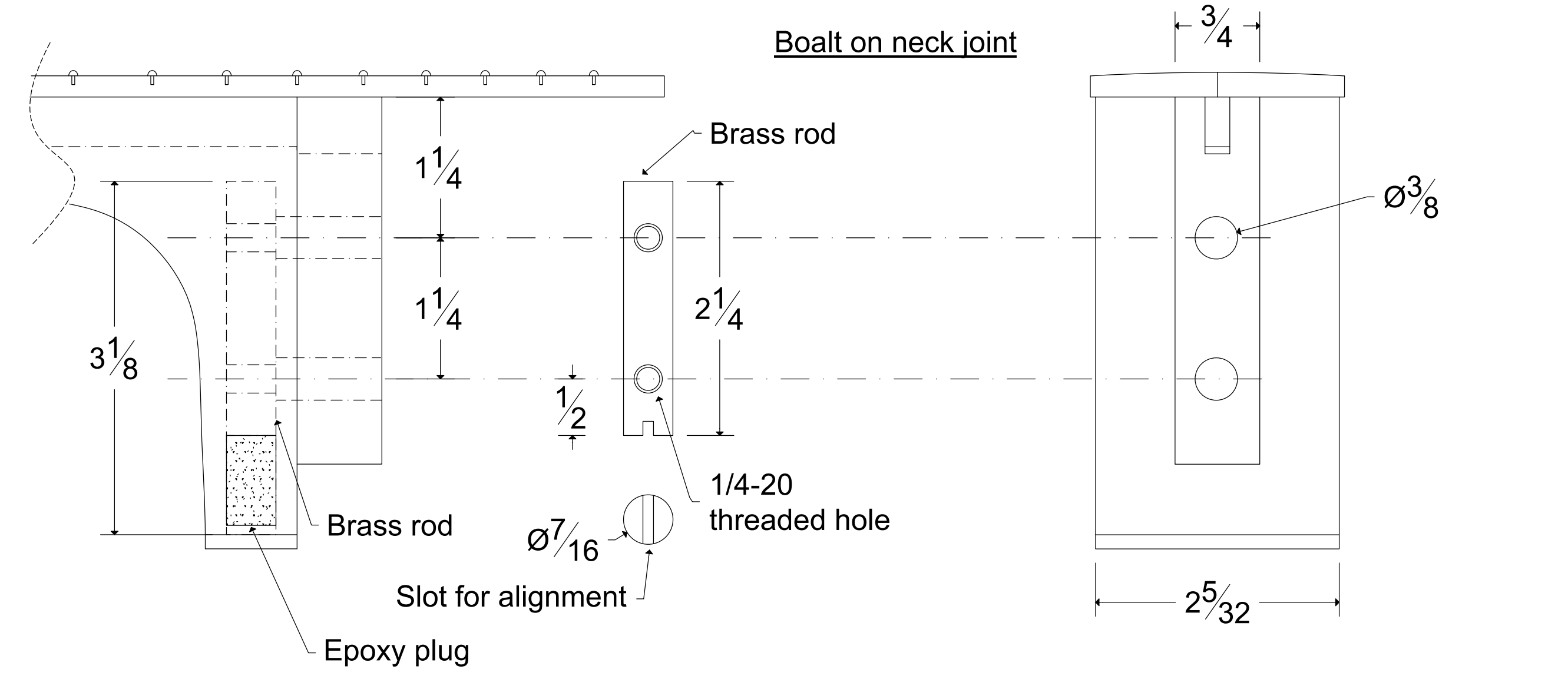
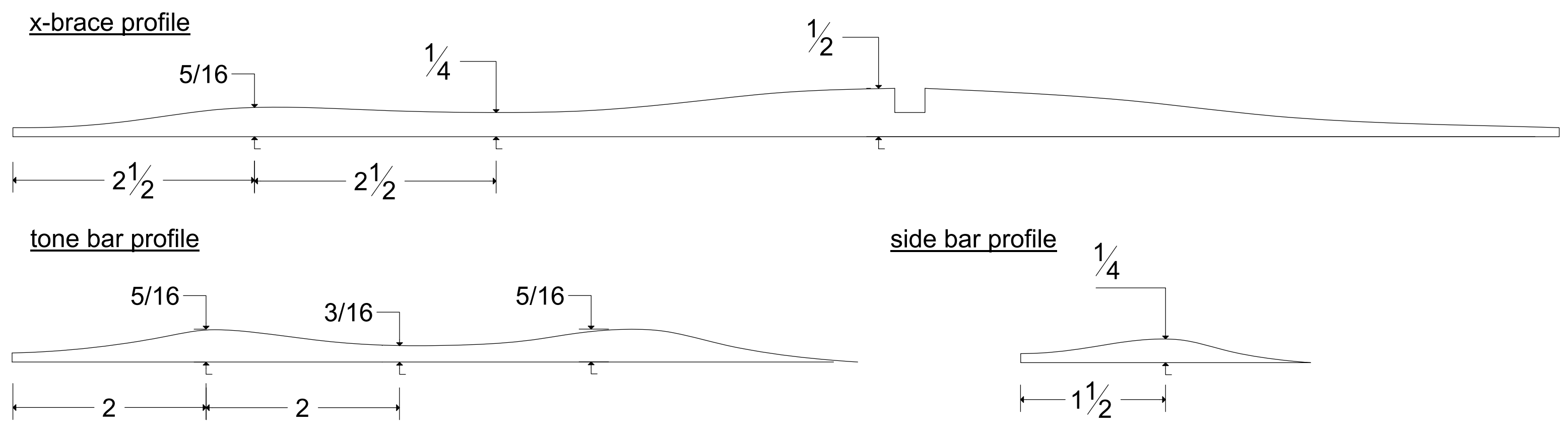


Tuck x-braces and back-braces into kerfing

- Oaktown Strings -

OM Sized Guitar

Scale length: 25.4	Body length: $19\frac{3}{8}$	Version 1.0
Upper bout width: $10\frac{7}{8}$	1:1 Scale	Copyright 2019 Robert Lattuga
Lower bout width: 15	All dimensions in inches	



- Oaktown Strings -

OM Sized Guitar

Scale length: 25.4
 Upper bout width: 10 7/8
 Lower bout width: 15
 Body length: 19 3/8
 1:1 Scale
 All dimensions in inches
 Version 1.0
 Copyright 2019 Robert Lattuga

All wood should be well quartered. Cross-hatching does not indicate grain direction.

